

# TOR Cable Stripper & Slitter

*The worlds best cable jacket stripper & slitter!*

Two tools in one!



10017C

**Tor is an adjustable** heavy-duty cable stripping and slitting tool for all insulation types used in today's cables. Many of Tor's unique features include interchangeable cable clamps, giving it a cable capacity up to 1 1/2" / 40mm. The durable Tor has been tested to over 100,000 cycles!

- Easy to use: Positive locking positions for circular, lengthways and spiral (apple peel) strips
- The blade automatically returns to its starting position at the end of a strip reducing the possibility of broken blades
- No special tools required to interchange cable clamps
- Blade height adjustor is almost friction free, easy to rotate for fine blade height adjustment
- Ergonomic: Well balanced design with rests for thumb, index and little fingers to ease raising the cable clamp
- Eyelet built in base of tool for attaching a lanyard

## Technical Data

- Length: 6.57" / 167 mm
- Width: 1.46" / 37 mm
- Height: 1.2" / 30.5 mm
- Weight: 0.26lb / 116 gr
- Cable size: 0.180" - 1.57" / 4.5—40 mm<sup>2</sup>
- Life span, cycles: 100,000

## Ordering Information

P/N	Description	UPC Code
10017C	Tor Cable Jacket Stripper and Slitter, clamshell	849160008279
10018C	Tor Replacement Blade, clamshell	849160008262

See reverse for additional information.

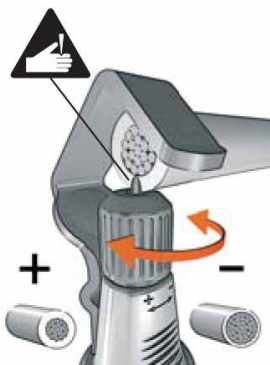
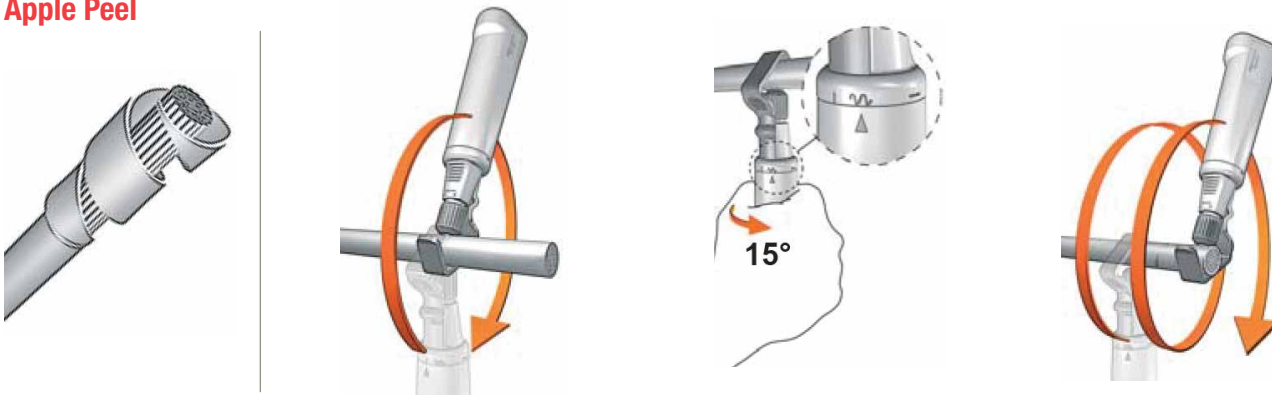
California, USA  
 Phone: 805.384.2777 / 800.749.5783 • Fax: 800.749.5784  
[www.platinumtools.com](http://www.platinumtools.com)

**We Make Connections EZ!**

## Strip & Slit



## Apple Peel



**Blade Height Adjustor**  
Insulation Thickness:  
Up to 0.18" / 4.5 mm



**Storage Compartment**  
for an extra blade  
(P/N 10018C sold separately).



**Cable size range per clamp:**  
0.18" - 1.0" / 4.5 mm - 25 mm  
0.8" - 1.5" / 20 mm - 40 mm

**Two tools in one!**  
No special tool  
required to  
interchange  
cable clamps.